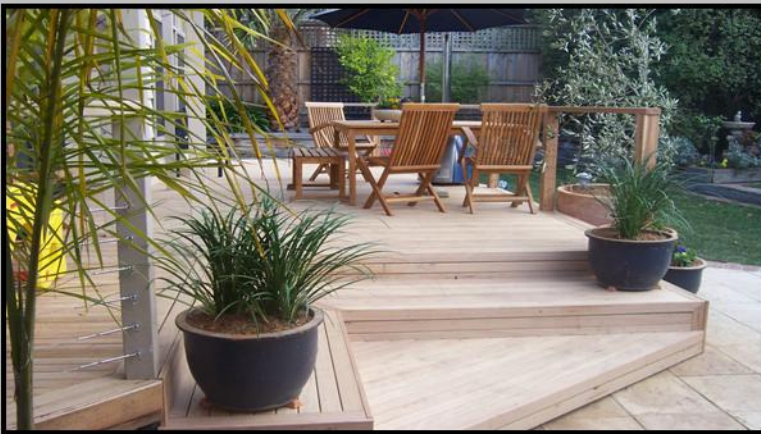


It's what you can't see that counts!



ArchiDeck Hidden Deck Fasteners

If you want a clean, safe and smooth finished deck without dangerous nail heads popping up, try the New **ArchiDeck Hidden Deck Fastener range**. It's designed for all kinds of exotic hardwood timber decking and solid composite decking.



Designed for maximum Strength and Durability, the **Hidden Deck Fasteners** Concealed Fixing System has a **25 year warranty**.



Used by **Professional Deck Builders**, the **Hidden Deck Fasteners** Concealed Fixing System is the ultimate choice for securing your deck boards.



ArchiDeck
Custom Deck Accessories

www.archideck.com.au

That nail free finish has never been so simple!

Easy as ..1..2..3

1. Secure the first deck board with the screws provided then Simply cut a slot into the side of the deck board using a biscuit cutter.



2. Place the **ArchiDeck Hidden Deck Fastener** into the slot & fasten with the screws provided. The use of construction adhesive on the floor joists is advised.



3. Cut a slot into the side of the next deck board & push into place. Repeat this process until all of the boards are installed.

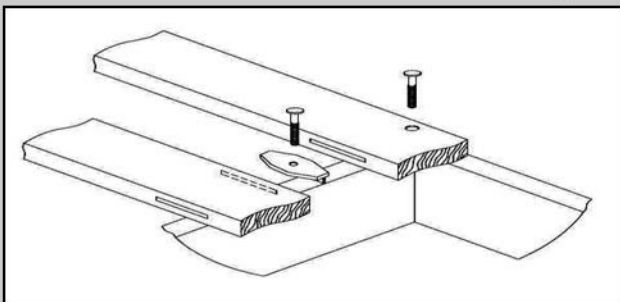


ArchiDeck AD 006 Hidden Deck Fastener



The **ArchiDeck AD 006 Hidden Deck Fastener** is suitable for all kinds of exotic hardwood timber decking and solid composite decking.

The **AD 006** can be used with all decking sizes and can be installed on both timber and steel floor joists.

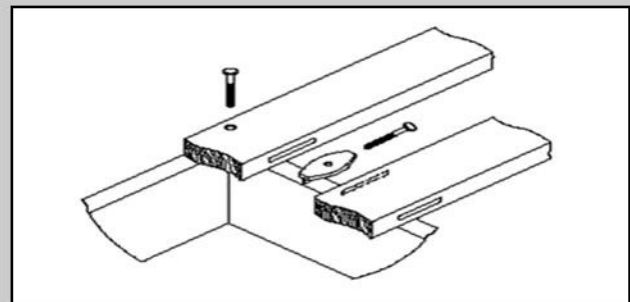


ArchiDeck AD 003 Hidden Deck Fastener



The **ArchiDeck AD 003 Hidden Deck fastener** is suitable for all kinds of exotic hardwood timber decking.

The **AD 003** is suitable for timber floor joist and board sizes of 90mm or less.



Calculator chart (fasteners per sq.m)			
Joist Spacing			
Board Width	500mm	450mm	400mm
70mm	29	32	36
90mm	23	25	28
120mm	17	19	21
140mm	15	16	18

Available at:

ArchiDeck
Custom Deck Accessories

www.archideck.com.au